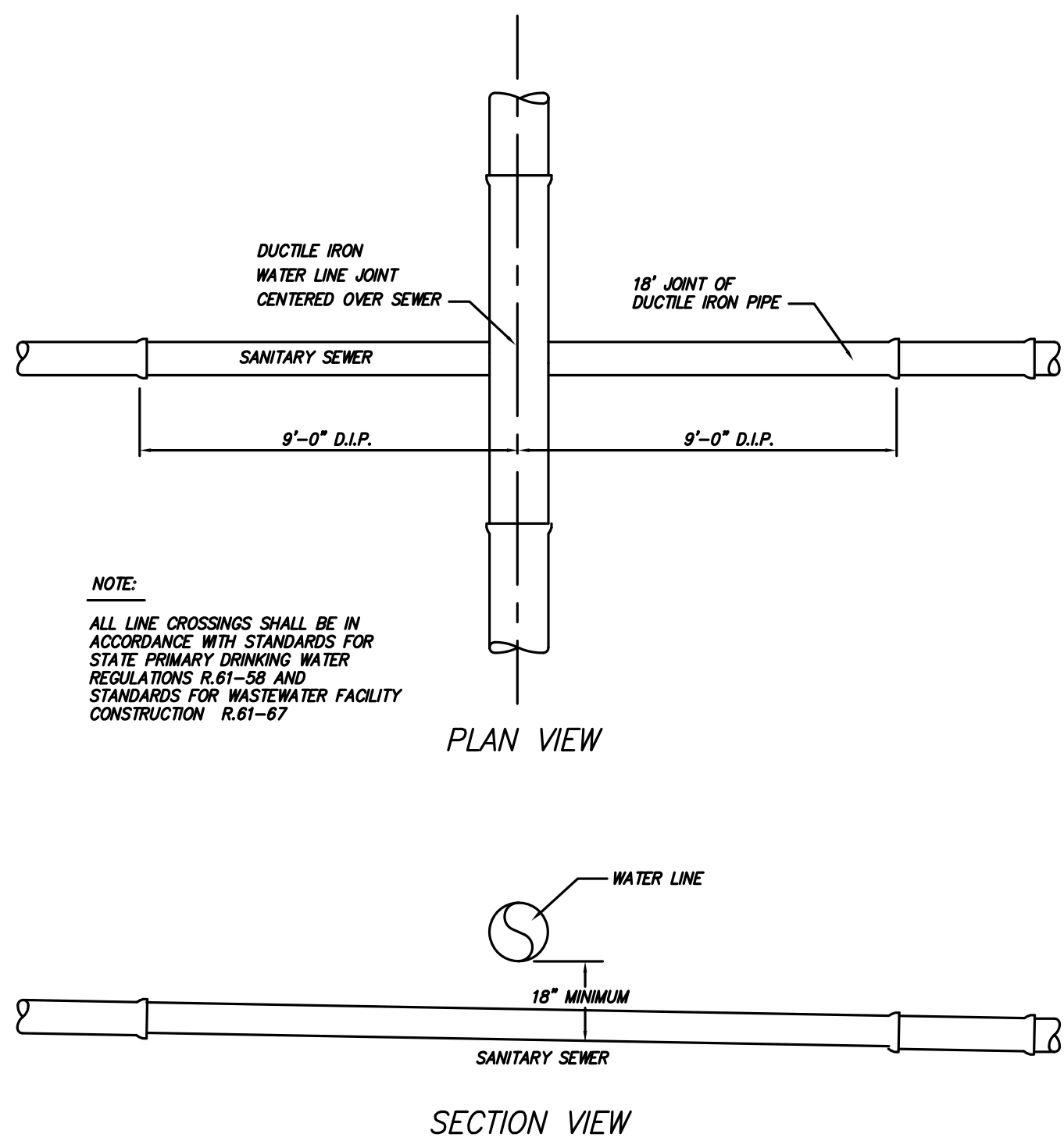


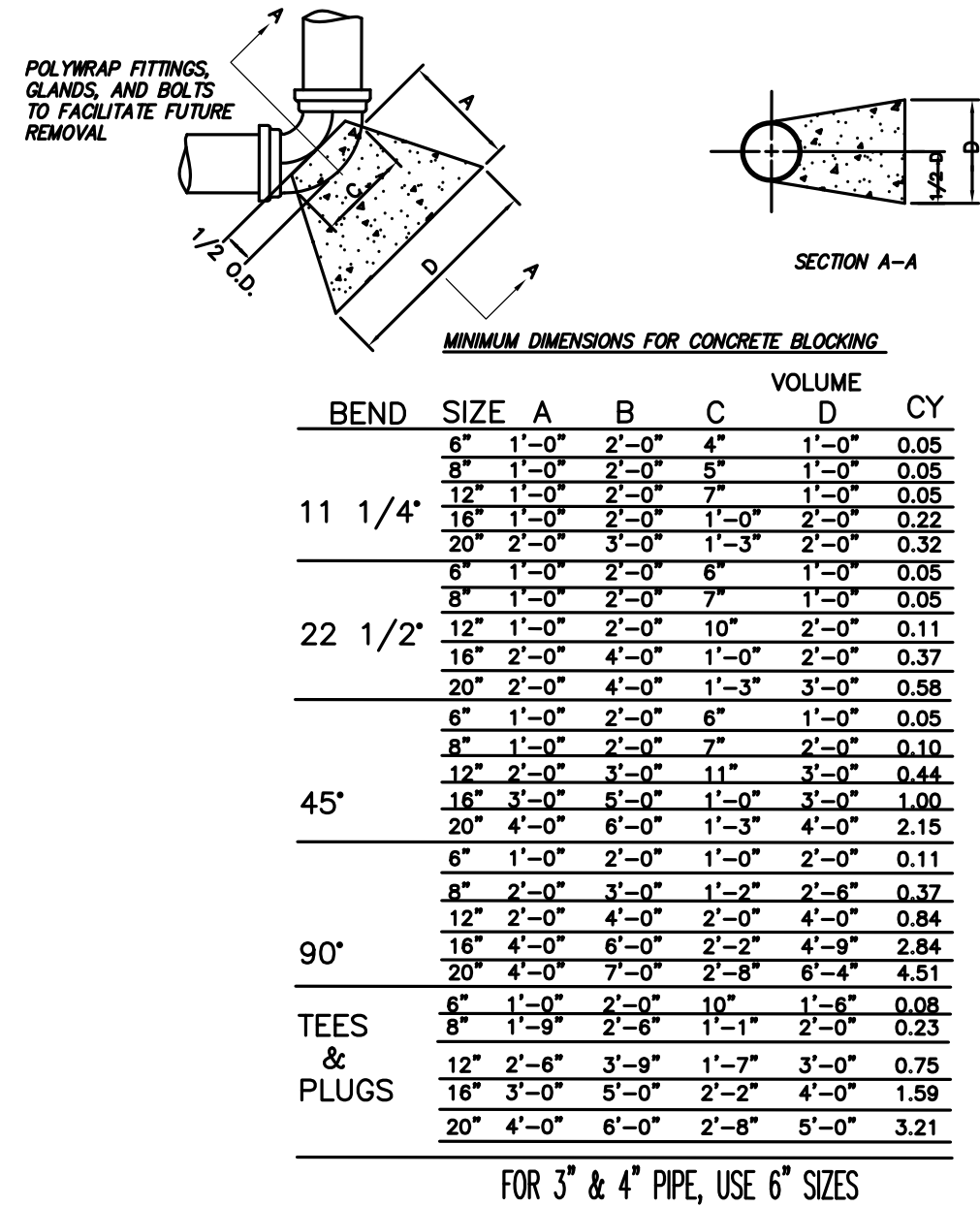
CONSTRUCTION DETAIL NO. 1



NOTE:
ALL LINE CROSSINGS SHALL BE IN ACCORDANCE WITH STANDARDS FOR STATE PRIMARY DRINKING WATER REGULATIONS R.61-58 AND STANDARDS FOR WASTEWATER FACILITY CONSTRUCTION R.61-67

Spartanburg Water
SANITARY SEWER AND WATER LINE/STORM DRAIN CROSSING
SCALE: NONE REVISION DATE: APRIL 13, 2009

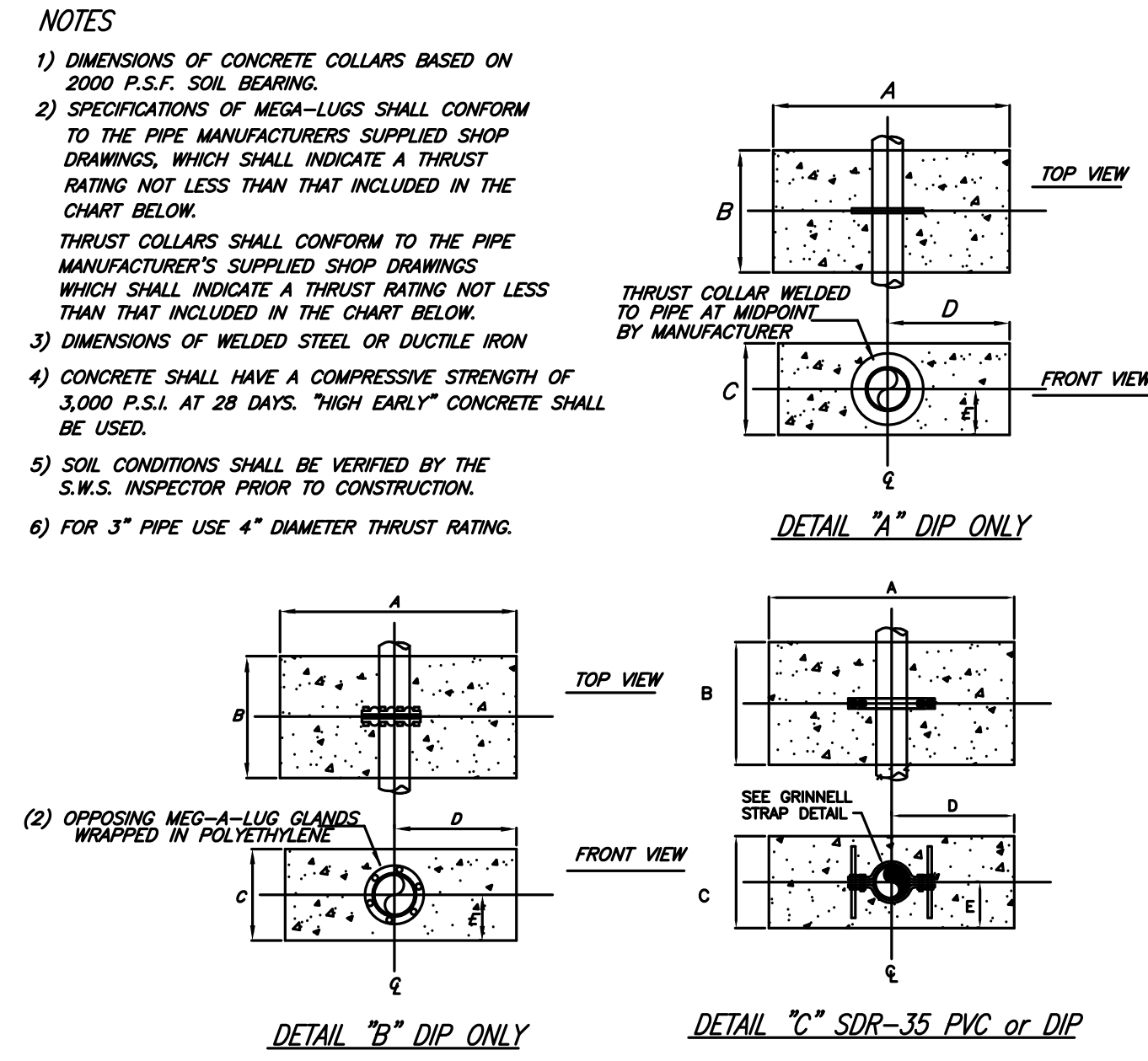
CONSTRUCTION DETAIL NO. 4



DESIGN DATA:
• DIMENSIONS OF THRUST BLOCK IN FEET BASED ON 3000 POUNDS PER SQUARE FOOT SOIL BEARING PRESSURE AND 200 POUNDS PER SQUARE INCH TEST PRESSURE. ACTUAL INSIDE DIAMETER OF DUCTILE IRON PIPE, CLASS 51 USED AS STANDARD.
• CONCRETE SHALL HAVE A COMPRESSIVE STRENGTH OF 3000 P.S.I. AT 28 DAYS. HIGH EARLY CONCRETE SHALL BE USED.

Spartanburg Water
CONCRETE THRUST BLOCK DETAIL
SCALE: NONE REVISION DATE: APRIL 13, 2009

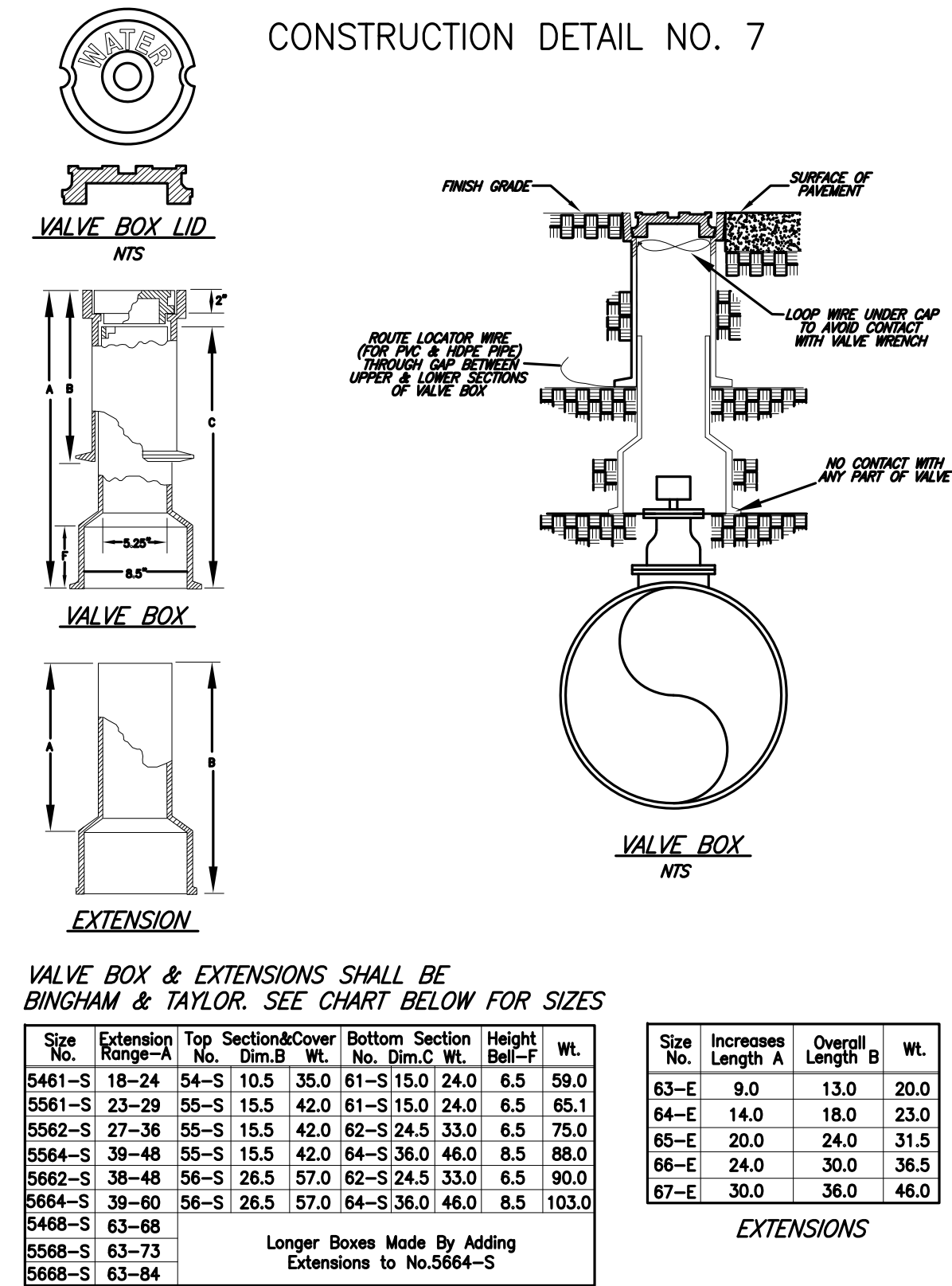
CONSTRUCTION DETAIL NO. 5



Detail "A" and "B" Apply to DIP in Gravity and Pressure Applications
Detail "C" Applies to SDR-35 PVC and DIP in Gravity Applications ONLY

Spartanburg Water
TYPICAL CONCRETE COLLAR DETAIL
SCALE: NONE REVISION DATE: APRIL 13, 2009

CONSTRUCTION DETAIL NO. 7



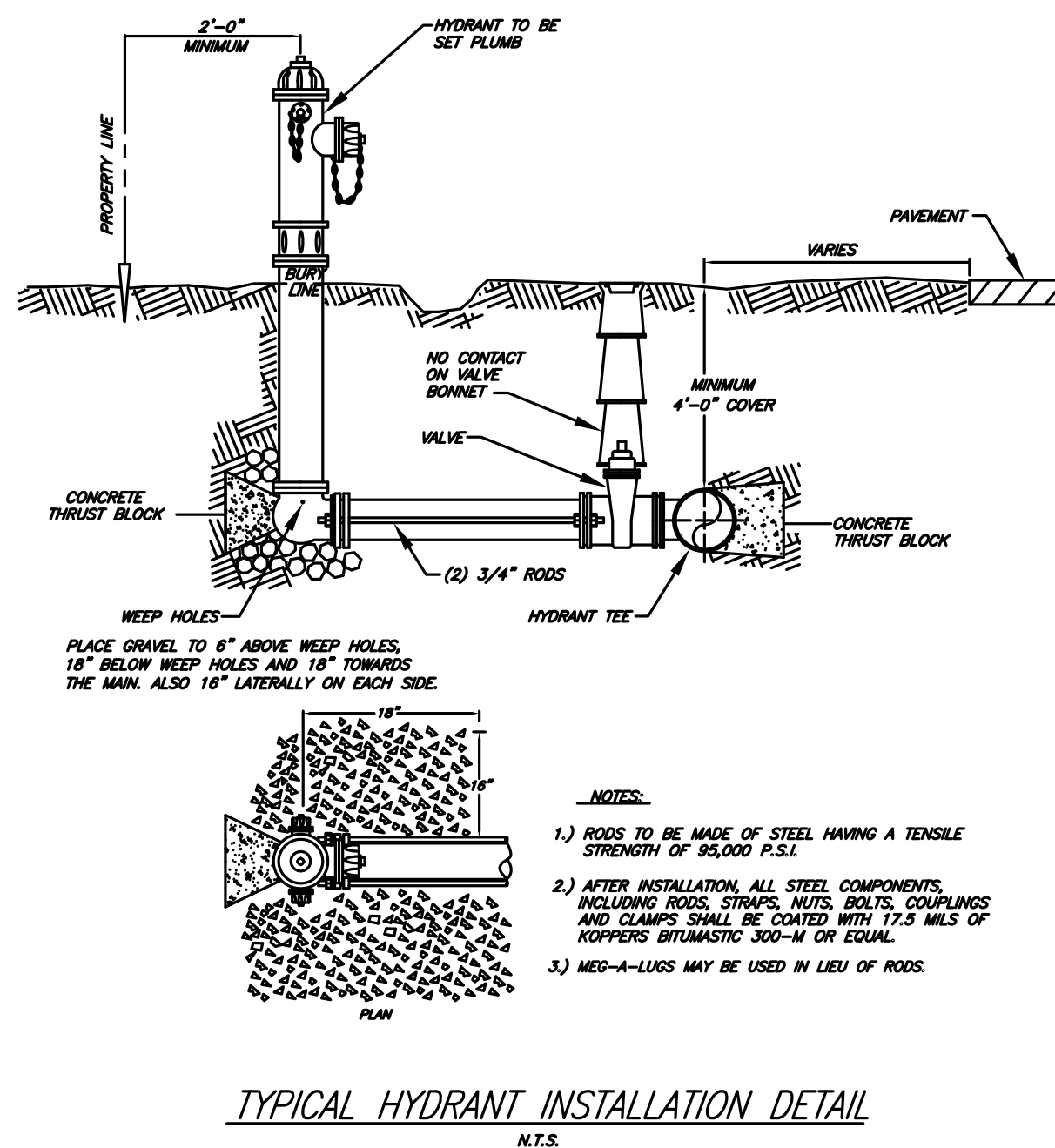
VALVE BOX & EXTENSIONS SHALL BE BINGHAM & TAYLOR. SEE CHART BELOW FOR SIZES

EXTENSIONS

Size No.	Increases Length A	Overall Length B	Wt.
63-E	9.0	13.0	20.0
64-E	14.0	18.0	23.0
65-E	20.0	24.0	31.5
66-E	24.0	30.0	36.5
67-E	30.0	36.0	46.0

Spartanburg Water
TYPICAL VALVE BOX
SCALE: NONE REVISION DATE: DEC. 1, 2009

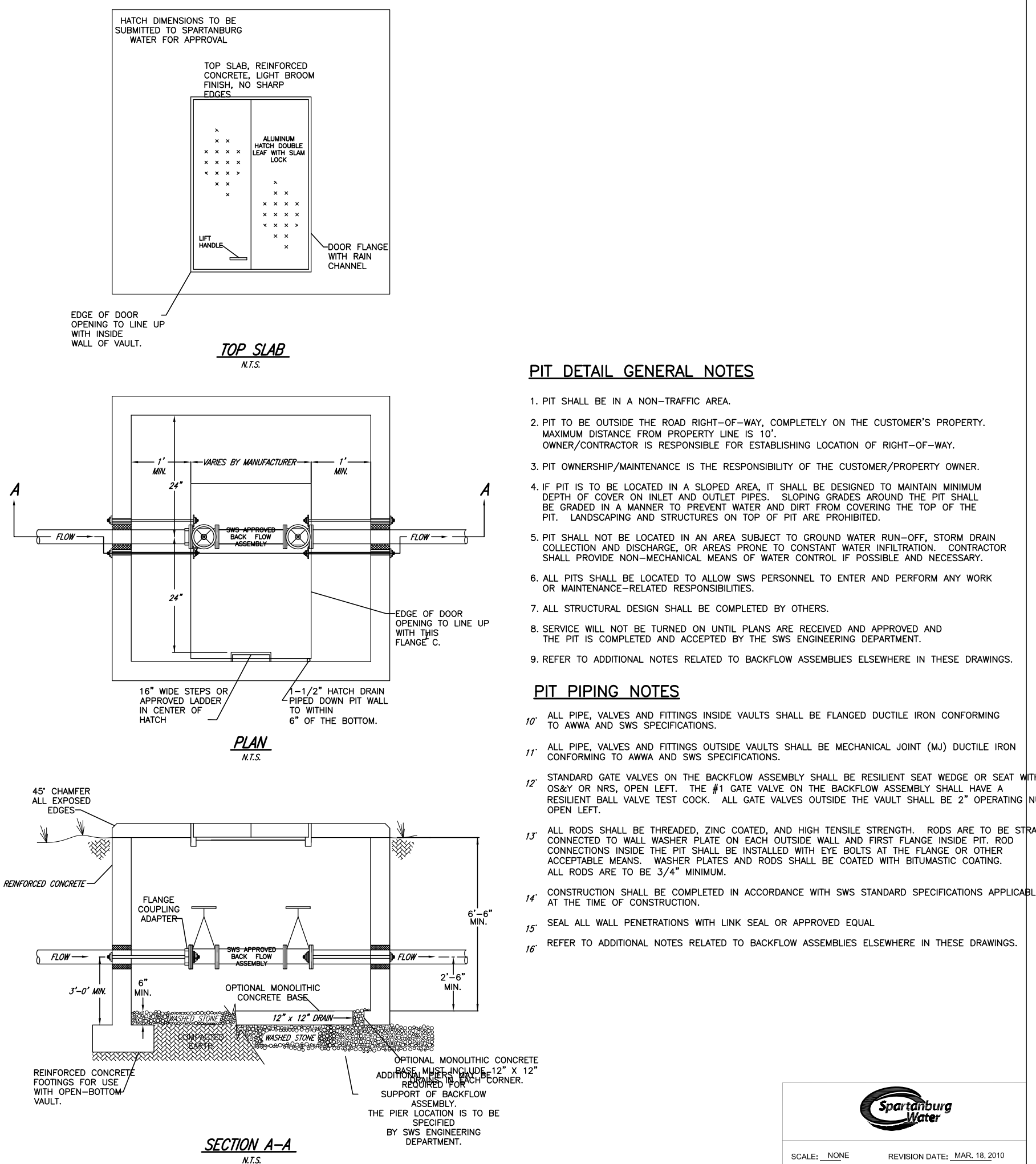
CONSTRUCTION DETAIL NO. 9



- NOTES:
1) RODS TO BE MADE OF STEEL HAVING A TENSILE STRENGTH OF 85,000 P.S.I.
2) AFTER INSTALLATION, ALL STEEL COMPONENTS, INCLUDING RODS, STRAPS, NUTS, BOLTS, COUPLINGS AND CLAMPS SHALL BE COATED WITH 17.5 MILS OF RIPPERS BITUMASTIC 302-N OR EQUAL.
3) MEG-A-LOGS MAY BE USED IN LIEU OF RODS.

Spartanburg Water
TYPICAL HYDRANT INSTALLATION
SCALE: NONE REVISION DATE: JULY 8, 2009

PIT DETAIL Z: FIRE SERVICE BACKFLOW ASSEMBLY PIT WITH NO FIRE DEPT. CONNECTION



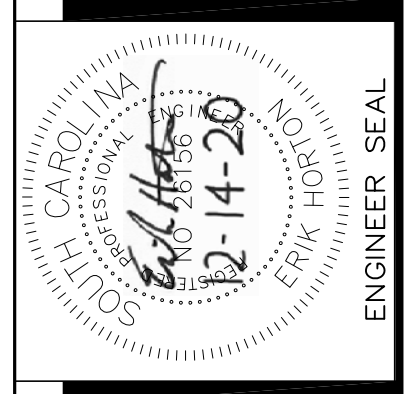
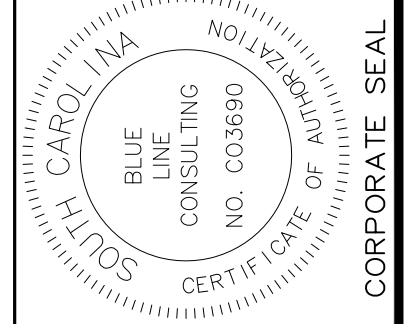
PIT DETAIL GENERAL NOTES

- PIT SHALL BE IN A NON-TRAFFIC AREA.
- PIT TO BE OUTSIDE THE ROAD RIGHT-OF-WAY, COMPLETELY ON THE CUSTOMER'S PROPERTY. MAXIMUM DISTANCE FROM PROPERTY LINE IS 10'.
- PIT OWNERSHIP/MAINTENANCE IS THE RESPONSIBILITY OF THE CUSTOMER/PROPERTY OWNER.
- IF PIT IS TO BE LOCATED IN A SLOPED AREA, IT SHALL BE DESIGNED TO MAINTAIN MINIMUM DEPTH OF COVER ON INLET AND OUTLET PIPES. SLOPING GRADES AROUND THE PIT SHALL BE GRASSED IN A MANNER TO PREVENT WATER AND DIRT FROM COVERING THE TOP OF THE PIT. LANDSCAPING AND STRUCTURES ON TOP OF PIT ARE PROHIBITED.
- PIT SHALL NOT BE LOCATED IN AN AREA SUBJECT TO GROUND WATER RUN-OFF, STORM DRAIN COLLECTION AND DISCHARGE, OR AREAS PRONE TO CONSTANT WATER INFILTRATION. CONTRACTOR SHALL PROVIDE NON-MECHANICAL MEANS OF WATER CONTROL IF POSSIBLE AND NECESSARY.
- ALL PITS SHALL BE LOCATED TO ALLOW SWS PERSONNEL TO ENTER AND PERFORM ANY WORK OR MAINTENANCE-RELATED RESPONSIBILITIES.
- ALL STRUCTURAL DESIGN SHALL BE COMPLETED BY OTHERS.
- SERVICE WILL NOT BE TURNED ON UNTIL PLANS ARE RECEIVED AND APPROVED AND THE PIT IS COMPLETED AND ACCEPTED BY THE SWS ENGINEERING DEPARTMENT.
- REFER TO ADDITIONAL NOTES RELATED TO BACKFLOW ASSEMBLIES ELSEWHERE IN THESE DRAWINGS.

PIT PIPING NOTES

- ALL PIPE, VALVES AND FITTINGS INSIDE VAULTS SHALL BE FLANGED DUCTILE IRON CONFORMING TO ANWA AND SWS SPECIFICATIONS.
- ALL PIPE, VALVES AND FITTINGS OUTSIDE VAULTS SHALL BE MECHANICAL JOINT (MJ) DUCTILE IRON CONFORMING TO ANWA AND SWS SPECIFICATIONS.
- STANDARD GATE VALVES ON THE BACKFLOW ASSEMBLY SHALL BE RESILIENT SEAT WEDGE OR SEAT WITH O-RING OR NIS, OPEN LEFT. THE #1 GATE VALVE ON THE BACKFLOW ASSEMBLY SHALL HAVE A RESILIENT BALL VALVE TEST COCK. ALL GATE VALVES OUTSIDE THE VAULT SHALL BE 2" OPERATING NUT, OPEN LEFT.
- ALL RODS SHALL BE THREADED, ZINC COATED, AND HIGH TENSILE STRENGTH. RODS ARE TO BE STRAIGHT CONNECTED TO WALL WASHER PLATE ON EACH OUTSIDE WALL AND FIRST FLANGE INSIDE PIT. ROD CONNECTIONS INSIDE THE PIT SHALL BE INSTALLED WITH EYE BOLTS AT THE FLANGE OR OTHER ACCEPTABLE MEANS. WASHER PLATES AND RODS SHALL BE COATED WITH BITUMASTIC COATING. ALL RODS ARE TO BE 3/4" MINIMUM.
- CONSTRUCTION SHALL BE COMPLETED IN ACCORDANCE WITH SWS STANDARD SPECIFICATIONS APPLICABLE AT THE TIME OF CONSTRUCTION.
- SEAL ALL WALL PENETRATIONS WITH LINK SEAL OR APPROVED EQUAL.
- REFER TO ADDITIONAL NOTES RELATED TO BACKFLOW ASSEMBLIES ELSEWHERE IN THESE DRAWINGS.

Spartanburg Water
SCALE: NONE REVISION DATE: MAR. 18, 2010



BLUE LINE CONSULTING, LLC
108 RIDGE RD.
LANDRUM, SC 29356
(864) 884-2158

REVISION FOR PRELIMINARY BIDDING

NO.	DATE	DESCRIPTION
1	12/14/20	ISSUED FOR PRELIMINARY BIDDING
2		
3		
4		
5		
6		
7		

PROJECT: Landrum Farmers' Market
Landrum, South Carolina

SHEET TITLE: Details
SCALE: NTS
PROJECT NO.: 19047
DRAWN: MESH
DATE: 12-14-2020